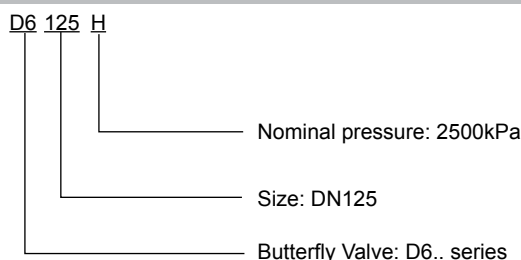



**2-way Butterfly Valves flanged  
DN50...500**
**For 2-point or modulating control of cold and hot water.**
**Applications**
**Typical applications include chiller isolation, cooling tower isolation, change-over systems, large air handling coil control, bypass and process control.**

**Technical data**

Flow medium	Cold and hot water, Max. 50% glycol
Temperature of medium	-20°C...+100°C
Nominal pressure	2500kPa (PN25)
Leakage rate	Rate A Bubble tight (ISO 5208)
Pipe connections *	ISO 7005.2 PN25 lug DN50...500
Max. Close-off pressure	2200kPa
Installation position	Vertical to horizontal
Maintenance	Maintenance-free
Angle of rotation	90° rotation
<b>Valve Material</b>	
Body	Ductile cast iron GGG50 (DN50...500)
Disc	Stainless steel 304
Seat	EPDM
Shaft	Hardened and tempered 45 carbon steel
Bushing	RPTFE

Default: D6500H Butterfly Valve and its actuator are pre-calibrated and pre-assembled in the factory.
**Ordering sample**

**Mode of operation**

The Butterfly Valve is operated by a Rotary Actuator. Select the actuator according to required Close-off pressure and HVAC condition of installation. The actuators are controlled by a standard Open/Close or modulating control system and rotate the disc of the valve to the position dictated by the control signal.

**Manual operation**

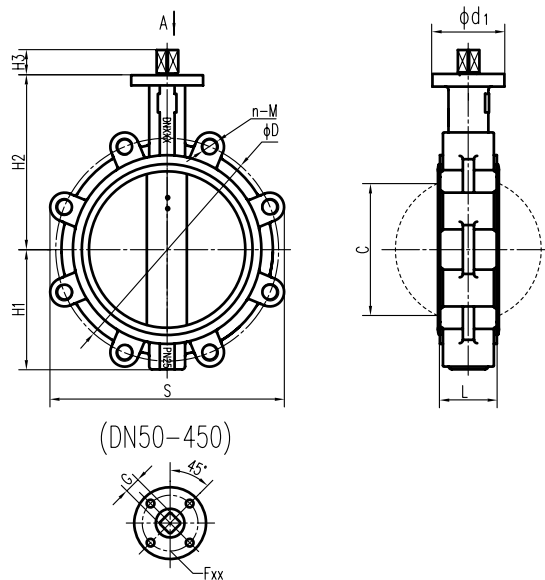
The manual operation is available by turning a handwheel of actuators.

**Kv Value [m3/h]**

Type	Size	90°	80°	70°	60°	50°	40°	30°	20°	10°
D650H	DN50 2"	117	108	78	55	39	21	10	4	0.1
D665H	DN65 2.5"	190	176	125	85	56	32	17	7	0.2
D680H	DN80 3"	261	238	158	100	61	34	19	10	0.3
D6100H	DN100 4"	519	47	315	199	120	67	31	15	0.4
D6125H	DN125 5"	884	804	536	339	205	115	53	25	0.7
D6150H	DN150 6"	1366	1243	829	523	317	177	82	39	2
D6200H	DN200 8"	2713	2469	1646	1040	629	353	163	77	3
D6250H	DN250 10"	4619	4203	2803	1771	1070	600	277	131	3
D6300H	DN300 12"	7137	6494	4330	2735	1653	927	428	202	4
D6350H	DN350 14"	10309	9381	6254	3952	2388	1340	619	292	5
D6400H	DN400 16"	14176	12901	8600	5434	3285	1843	850	401	7
D6450H	DN450 18"	18776	17087	11391	7197	4349	2441	1126	532	10
D6500H	DN500 20"	24142	21969	14646	9254	5593	3138	1448	684	12

UL marked actuators is optional, please contact your local Sales Representative for details.

Trade Selection by Belimo



## Dimensions of PN25 lug connection Butterfly Valve [mm]

Type	Size	Top Flange	L	C	S	H1	H2	H3	G	ød1	PN25		SS BFV (kg)
											øD	n-M	
D650H	DN50	F05	42	32	122	70	130	13	14	65	125	4-M16	3.2
D665H	DN65	F05	45	47	168	76	143	13	14	65	145	8-M16	3.8
D680H	DN80	F05	45	65	178	89	155	13	14	65	160	8-M16	5.0
D6100H	DN100	F07	52	91	212	104	170	17	17	90	190	8-M20	9.0
D6125H	DN125	F07	55	112	243	120	190	25	22	90	220	8-M24	11.3
D6150H	DN150	F07	56	146	271	132	210	43	22	90	250	8-M24	15.0
D6200H	DN200	F10	61	194	339	167	243	25	22	125	310	12-M24	20.0
D6250H	DN250	F10	66	242	402	202	282	25	22	125	370	12-M27	30.0
D6300H	DN300	F12	77	292	466	239	310	60	36	150	430	16-M27	46.0
D6350H	DN350	F12	77	325	529	265	368	66	36	150	490	16-M30	70.3
D6400H	DN400	F16	87	380	593	299	400	50	36	210	550	16-M33	88.5
D6450H	DN450	F16	105	428	647	333	422	50	36	210	600	20-M33	104.4
D6500H	DN500	-	130	474	706	363	480	-	-	-	660	20-M33	179.6

## Max. Close-off pressure ΔPs and linkage — D6..H series

Type	IP67 Actuator (Outdoor Use)											
	SY2.. [90Nm]		SY3.. [150Nm]	SY4.. [400Nm]	SY6.. [650Nm]	SY8.. [1500Nm]	SY10.. [2500Nm]	SY11.. [3000Nm]	SY12.. [3500Nm]	QB6000.. [6000Nm]		
	ΔPs kPa	Linkage WD6..	ΔPs kPa	ΔPs kPa	ΔPs kPa	ΔPs kPa	ΔPs kPa	ΔPs kPa	ΔPs kPa	ΔPs kPa	ΔPs kPa	ΔPs kPa
D650H	2200	S2	-	-	-	-	-	-	-	-	-	-
D665H	2200	S2	-	-	-	-	-	-	-	-	-	-
D680H	2200	S2	-	-	-	-	-	-	-	-	-	-
D6100H	-	-	2200	-	-	-	-	-	-	-	-	-
D6125H	-	-	-	2200	-	-	-	-	-	-	-	-
D6150H	-	-	-	-	2200	-	-	-	-	-	-	-
D6200H	-	-	-	-	2200	-	-	-	-	-	-	-
D6250H	-	-	-	-	-	2200	-	-	-	-	-	-
D6300H	-	-	-	-	-	-	2200	-	-	-	-	-
D6350H	-	-	-	-	-	-	-	2200	-	-	-	-
D6400H	-	-	-	-	-	-	-	-	2200	-	-	-
D6450H	-	-	-	-	-	-	-	-	-	2200	-	-
D6500H	-	-	-	-	-	-	-	-	-	-	-	2200

V7.2.03.2015-Subject to modification