

Fire and Smoke Spring Return Actuator BLF24(-T)(-ST)



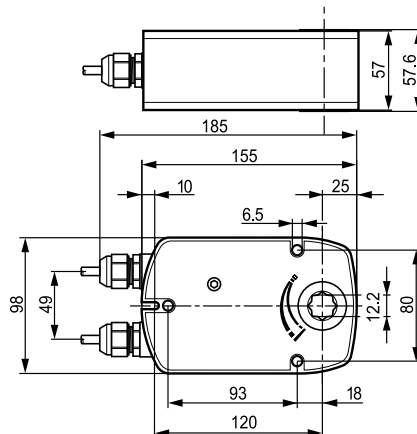
- For control of Fire and Smoke Dampers in HVAC systems
- Torque: 6Nm/4Nm
- Nominal voltage: AC/DC 24V
- Control: Open/Close
- Manual override function



Technical data

Electrical data	Nominal voltage	AC 24V 50/60Hz, DC 24V
	Nominal voltage range	AC 19.2...28.8V / DC 21.6...28.8V
	Power consumption	5W @ running / 2.5W @ holding
	For transformer sizing	7VA (I _{max} 5.8A @ 5ms)
	Auxiliary switch	2 SPDT, 1mA...3(0.5)A, DC 5V...AC 250V <input type="checkbox"/>
	-Switching points	fixed at 5°↙, 80°↘
	Connection	-Motor -Auxiliary Switch
		1m, 2 x 0.75mm ² (halogen-free) 1m, 6 x 0.75mm ² (halogen-free) (..-ST with plug connectors, suitable for BKN230-24)
Functional data	Torque	-Motor -Spring Return
		6Nm @ nominal voltage 4Nm
	Thermal trip	BLF24-T: BAE72B-S
		Tf1: duct outside temperature 72°C Tf2/Tf3: duct inside temperature 72°C *(Art. Nr. ZBAE72)
	Direction of rotation	Selectable by L/R installation
	Angle of rotation	Max. 95°↙ (include 5°↙ spring pretensioning)
	Running time	-Motor -Spring Return
		40...75s (0...6Nm) -20s @ -20...+50°C/max. 60s @ -30°C
		Sound power level
	Position indication	Mechanical with pointer
	Service life	>60,000 cycles
Safety	Protection class	III (safety extra-low voltage)
	Degree of protection	IP54
	EMC	CE according to 2004/108/EC
	Mode of operation	Type 1.AA.B
	Ambient temperature	-Normal Duty -Safety Duty
		-30...+50°C Safe position will be attained up to max. 75°C when triggered by a thermal trip
	Storage temperature	-40...+50°C (-40...+80°C without thermal trip)
	Humidity test	95% RH, non-condensing
	Maintenance	Maintenance-free
	Dimensions / weight	Dimensions (L x M x H)
Shaft diameter		Form-fit 12 x 12mm (10mm adapter supplied)
Weight		BLF24(-ST) BLF24-T(-ST)
		Approx. 1.54kg Approx. 1.63kg

Dimensions [mm]



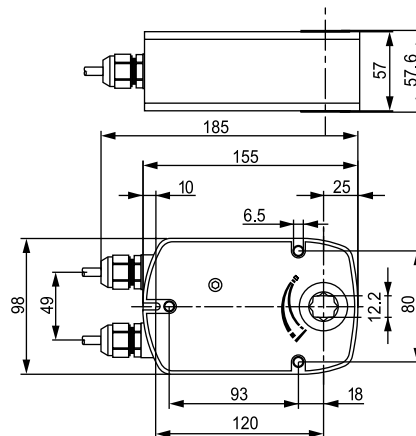
- For control of Fire and Smoke Dampers in HVAC systems
- Torque: 4Nm/4Nm
- Nominal voltage: AC/DC 24V
- Control signal: DC (0)2...10V
- Position feedback: DC 2...10V



Technical data

Electrical data	Nominal voltage	AC 24V 50/60Hz, DC 24V		
	Nominal voltage range	AC 19.2...28.8V / DC 21.6...28.8V		
	Power consumption	2.5W @ running / 1W @ holding		
	For transformer sizing	5VA (I _{max} 5.8A @ 5ms)		
	Auxiliary switch	1 SPDT, 1mA...3(0.5)A, DC 5V...AC 250V □		
	-Switching points	fixed at 5°◁		
	Connection	-Motor -Auxiliary Switch	1m, 4 x 0.75mm ² (halogen-free) 1m, 3 x 0.75mm ² (halogen-free)	
	Functional data	Torque	-Motor -Spring Return	6Nm @ nominal voltage 4Nm
		Control signal Y		DC (0)2...10V (input impedance 100kΩ)
		Feedback signal U		DC 2...10V
Direction of rotation		-Motor -Spring Return	Selectable by L/R switch Selectable by L/R installation	
Angle of rotation			Max. 95°◁	
Running time		-Motor -Spring Return	150s ~20s (@ t _{amb} =20°C)	
Sound power level			Motor max. 45dB(A) / spring return 63dB(A)	
Position indication			Mechanical with pointer	
Service life			>60,000 cycles	
Safety		Protection class		III (safety extra-low voltage)
	Degree of protection		IP54	
	EMC		CE according to 2004/108/EC	
	Mode of operation		Type 1.AA.B	
	Ambient temperature	-Normal Duty -Safety Duty	-30...+50°C Safe position will be attained up to max. 75°C	
	Storage temperature		-40...+80°C	
	Humidity test		95% RH, non-condensing	
	Maintenance		Maintenance-free	
	Dimensions / weight	Dimensions (L x M x H)		185 x 98 x 57.6mm
		Shaft diameter		Form-fit 12 x 12mm (10mm adapter supplied)
Weight			Approx. 1.63kg	

Dimensions [mm]



Fire and Smoke Spring Return Actuator BLF230(-T)

- For control of Fire and Smoke Dampers in HVAC systems
- Torque: 6Nm/4Nm
- Nominal voltage: AC 230V
- Control: Open/Close
- Manual override function

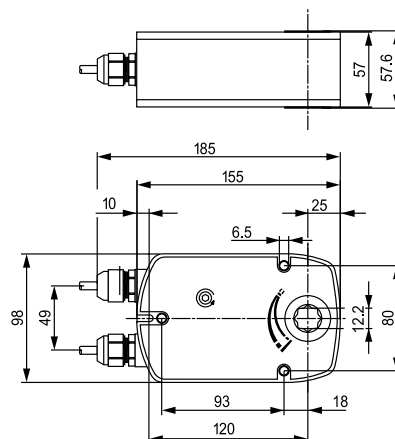


Technical data

Electrical data	Nominal voltage	AC 230V 50/60Hz		
	Nominal voltage range	AC 198...264V		
	Power consumption	6W @ running / 3W @ holding		
	For transformer sizing	7VA (I _{max} 150mA @ 10ms)		
	Auxiliary switch	2 SPDT, 1mA...3(0.5)A, DC 5V...AC 250V <input type="checkbox"/>		
	-Switching points	fixed at 5°↙, 80°↘		
	Connection	-Motor -Auxiliary Switch	1m, 2 x 0.75mm ² (halogen-free) 1m, 6 x 0.75mm ² (halogen-free)	
Functional data	Torque	-Motor -Spring Return	6Nm @ nominal voltage 4Nm	
	Thermal trip	BLF230-T: BAE72B-S	Tf1: duct outside temperature 72°C Tf2/Tf3: duct inside temperature 72°C *(Art. Nr. ZBAE72)	
	Direction of rotation		Selectable by L/R installation	
	Angle of rotation		Max. 95°↙ (include 5°↙ spring pretensioning)	
	Running time	-Motor -Spring Return	40...75s (0...6Nm) -20s @ -20...+50°C/max. 60s @ -30°C	
	Sound power level		Motor max. 45dB(A) / spring return	
	Position indication		Mechanical with pointer	
	Service life		>60,000 cycles	
	Safety	Protection class		III (safety extra-low voltage) II (Totally insulated) <input type="checkbox"/>
		Degree of protection		IP54
EMC			CE according to 2004/108/EC	
Mode of operation			Type 1.AA.B	
Ambient temperature		-Normal Duty -Safety Duty	-30...+50°C Safe position will be attained up to max. 75°C when triggered by a thermal trip	
Storage temperature			-40...+50°C (-40...+80°C without thermal trip)	
Humidity test			95% RH, non-condensing	
Maintenance		Maintenance-free		
Dimensions / weight	Dimensions (L x M x H)		185 x 98 x 57.6mm	
	Shaft diameter		Form-fit 12 x 12mm (10mm adapter supplied)	
	Weight	BLF230		Approx. 1.73kg
		BLF230-T		Approx. 1.83kg

Dimensions [mm]

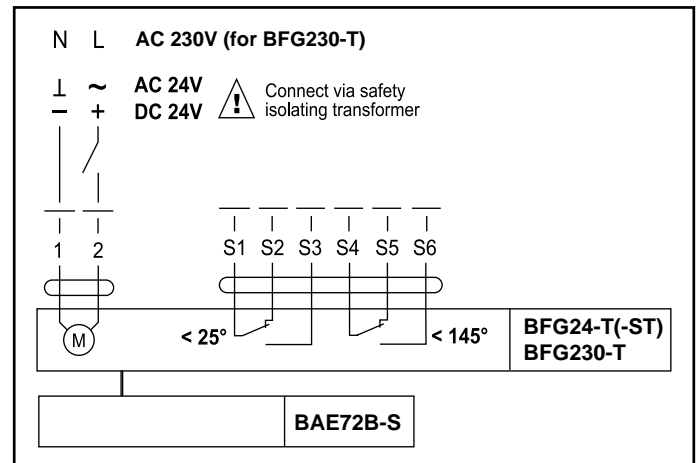
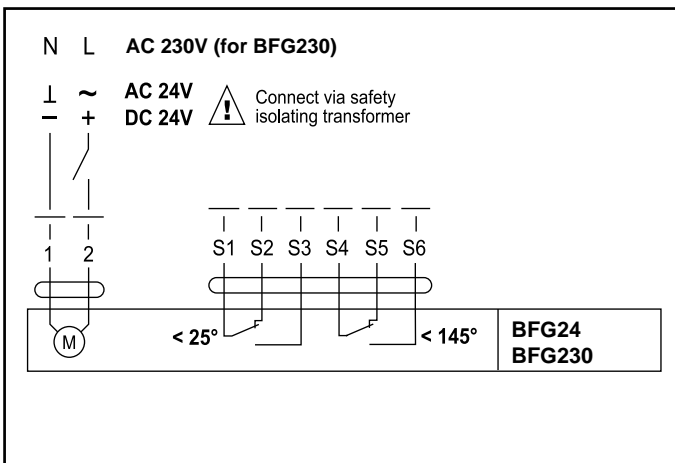
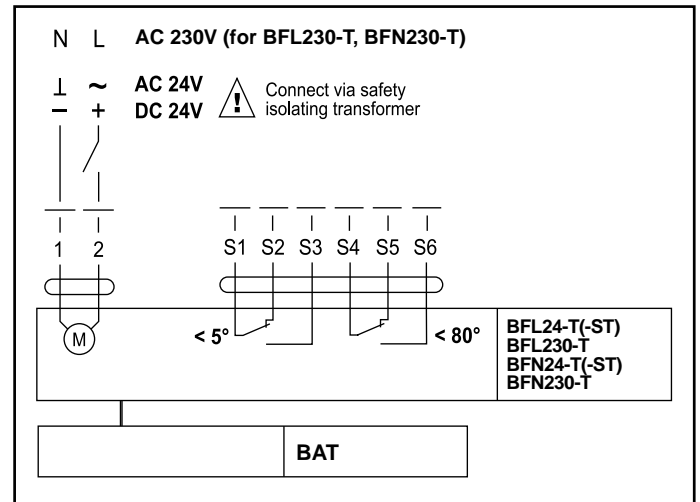
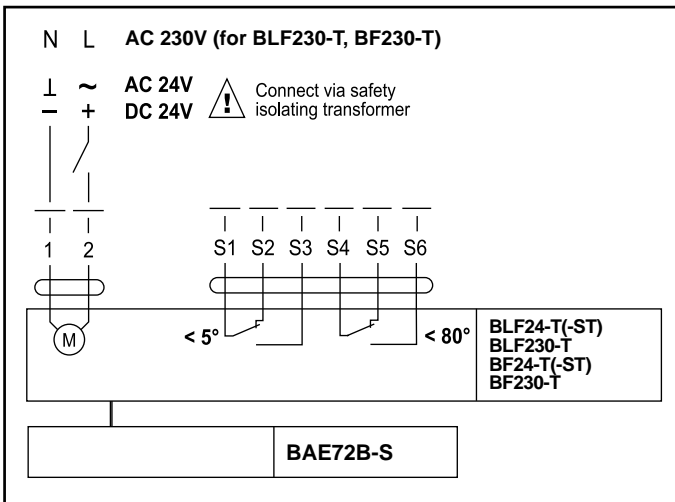
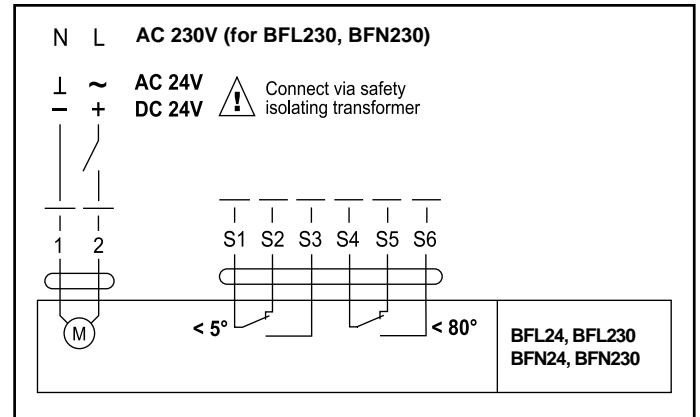
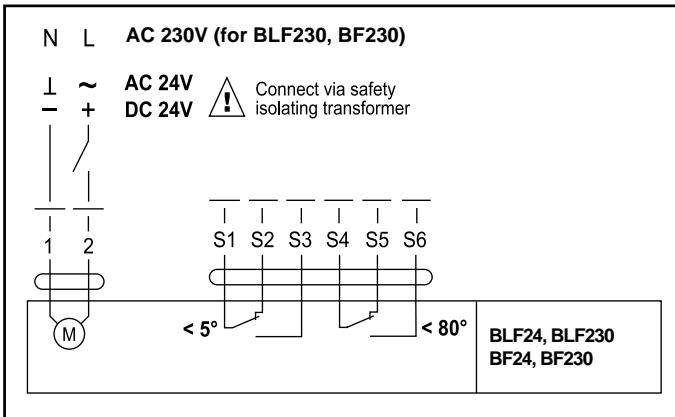
BAE72B-S: see page 36



Wiring diagram: B..F.. series Fail-Safe Open/Close Actuators

Notes:

- Parallel connection of several actuators is possible.
- Power consumption must be observed.



Wiring diagram: B..F.. series Fail-Safe Modulating(-SR) Actuators

- Notes:**
- Parallel connection of several actuators is possible.
 - Power consumption must be observed.

