

- General Rotary Actuators for: DN15...25 PICCV
- Torque: 5Nm
- Multifunction control: LR24A-MF (AC/DC 24V)
- Open/Close or 3-point control: LR24A(-S) (AC/DC 24V)
LR230A(-S) (AC 100...240V)



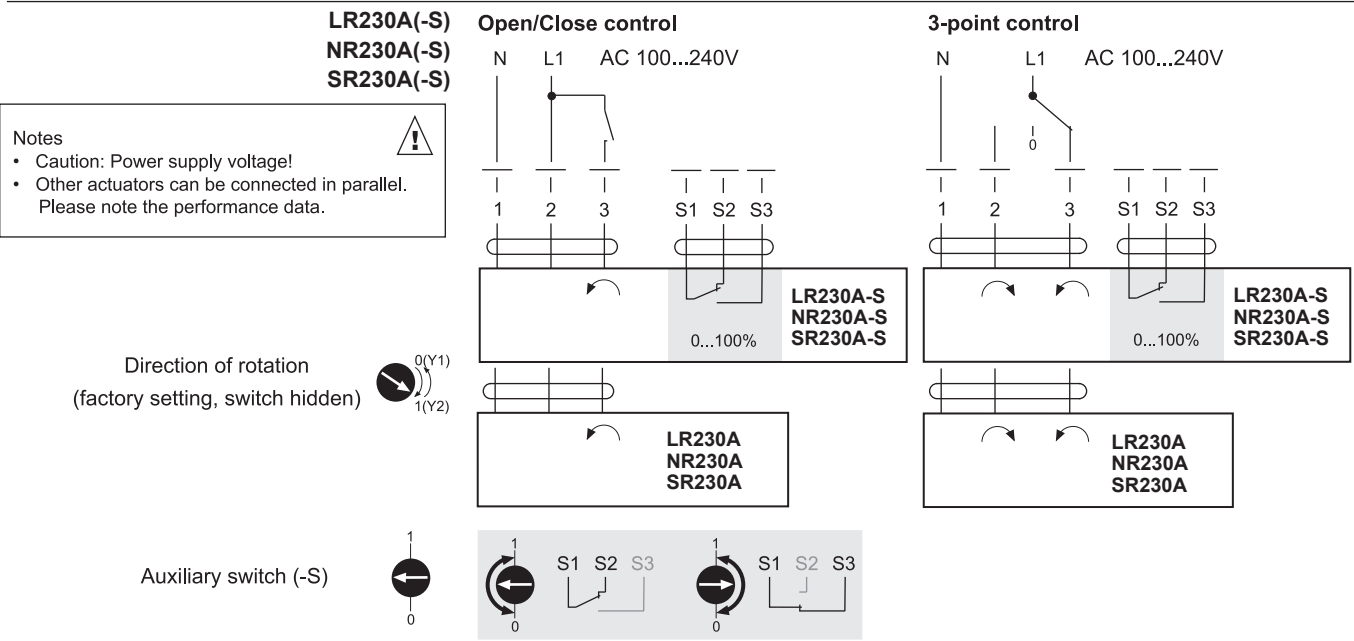
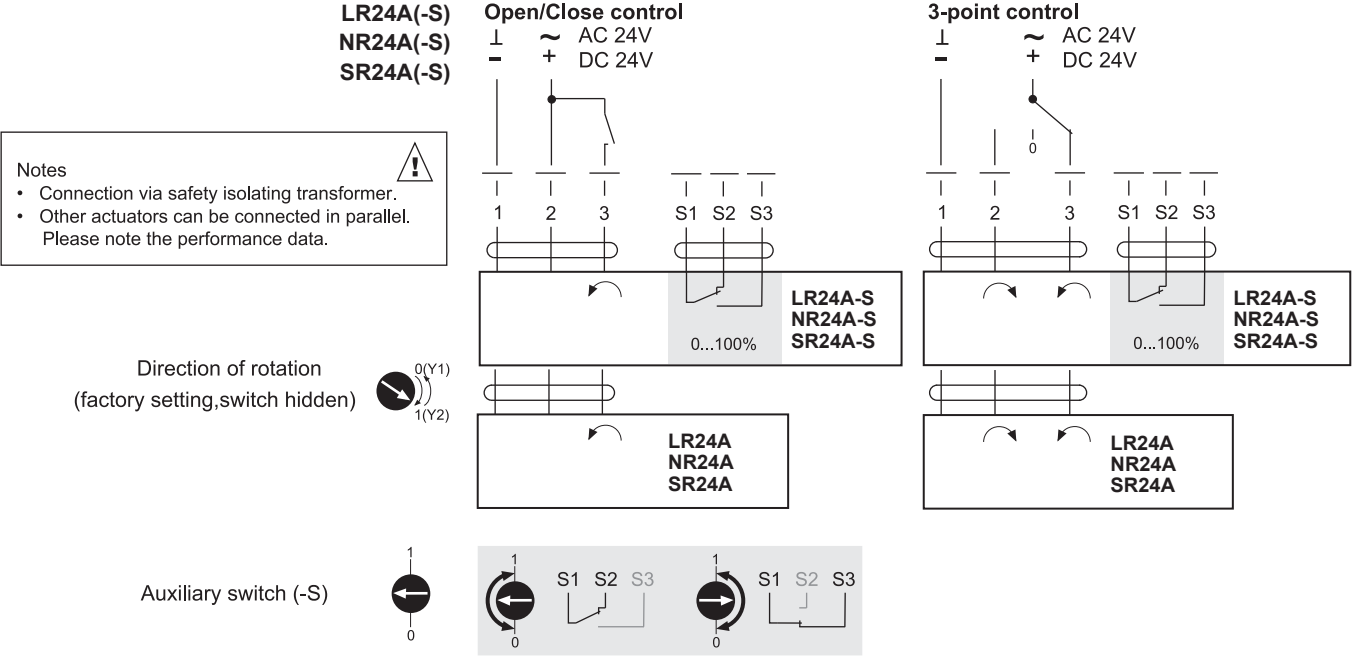
Technical data

Basic technical data			
	Torque	5Nm	
	Angle of rotation	90°	
	Direction of rotation	CCW (setting ↺ close position)	
	Sound power level	~35dB(A) (without the valve)	
	Position indicator	Mechanical	
	Manual override	Gearing disengaged by pressing the push button, manual operate while the button is held depressed	
	Running time	90s	
	Mode of operation	Type 1 (EN60730)	
	Ambient temp.	0...+50°C	
	Non-operation temp.	-40...+80°C	
	Humidity	5...95% RH, non-condensing	
	Degree of protection	IP54	
	EMC	CE according to 89/336/EEC	
	Low voltage directive	CE according to 73/23/EWG	
	Maintenance	Maintenance-free	
LR24A-MF	Nominal voltage	AC 24V 50/60Hz, DC 24V	
	Nominal voltage range	AC 19.2...28.8V / DC 21.6...28.8V	
	Power consumption	-running 2W	
		-holding 1.2W	
	For transformer sizing	3.5VA	
	Connecting cable	Cable 1m, 4x0.75mm ²	
	Control signal Y	DC (0)2...10V @ input impedance 100kΩ	
	Working range	DC 0...10V	
	Position feedback signal U	DC 2...10V max. 0.5mA	
	Position accuracy	±5%	
	Protection class	III (safety extra-low voltage)	
	Weight	Approx 0.5kg	
	LR24A(-S)	Nominal voltage	AC 24V 50/60Hz, DC 24V
		Nominal voltage range	AC/DC 19.2...28.8V
Power consumption		-running 1W	
		-holding 0.2W	
For transformer sizing		2VA	
Connecting cable		-motor Cable 1m, 3x0.75mm ²	
		-auxiliary switch Cable 1m, 3x0.75mm ²	
Protection class		III (safety extra-low voltage)	
Auxiliary switch (LR24A-S)	1XSPDT, 1mA...3(0.5)A, AC 250V 0...100% adjustable		
Weight	Approx 0.6kg		
LR230A(-S)	Nominal voltage	AC 100...240V 50/60Hz	
	Nominal voltage range	AC 100...240V 50/60Hz	
	Power consumption	-running 1.5W	
		-holding 0.4W	
	For transformer sizing	4VA	
	Connecting cable	-motor Cable 1m, 3x0.75mm ²	
		-auxiliary switch Cable 1m, 3x0.75mm ²	
	Protection class	II (totally insulated)	
Auxiliary switch (LR230A-S)	1XSPDT, 1mA...3(0.5)A, AC 250V 0...100% adjustable		
Weight	Approx 0.6kg		

Product features

Mode of operation	LR24A-MF, NR24A-MF, SR24A-MF is controlled by means of a standard control signal DC (0)2...10V and travels to the position defined by this signal. The measuring voltage U allows the valve position (0...100%) to be electrically indicated and serves as a follow-up control signal for other actuators.
Simple direct mounting	Simple direct mounting on the PICCV with the actuator integrated bracket.
Adjustable angle of rotation	Adjustable angle of rotation with mechanical end stops. - MF with ZTH AP & PC-tool
High functional reliability	The actuator is overload-proof, requires no limit switches and automatically stops when the end stop is reached.
Flexible Signalisation	Flexible Signalisation of the LR..A..-S, NR..A..-S, SR..A..-S with adjustable auxiliary switch (0...100%).
MP-Bus Communication	LR24A-MP, NR24A-MP, SR24A-MP support on MP-Bus Communication

Wiring diagrams



Wiring diagrams (continued)

LR24A-MF
NR24A-MF
SR24A-MF

Modulating control



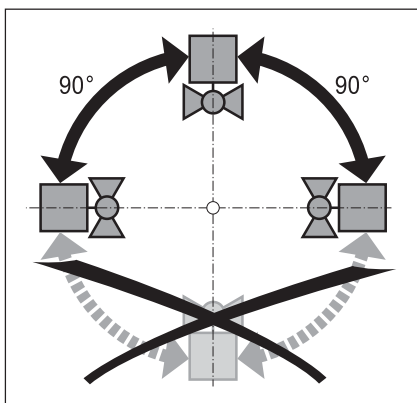
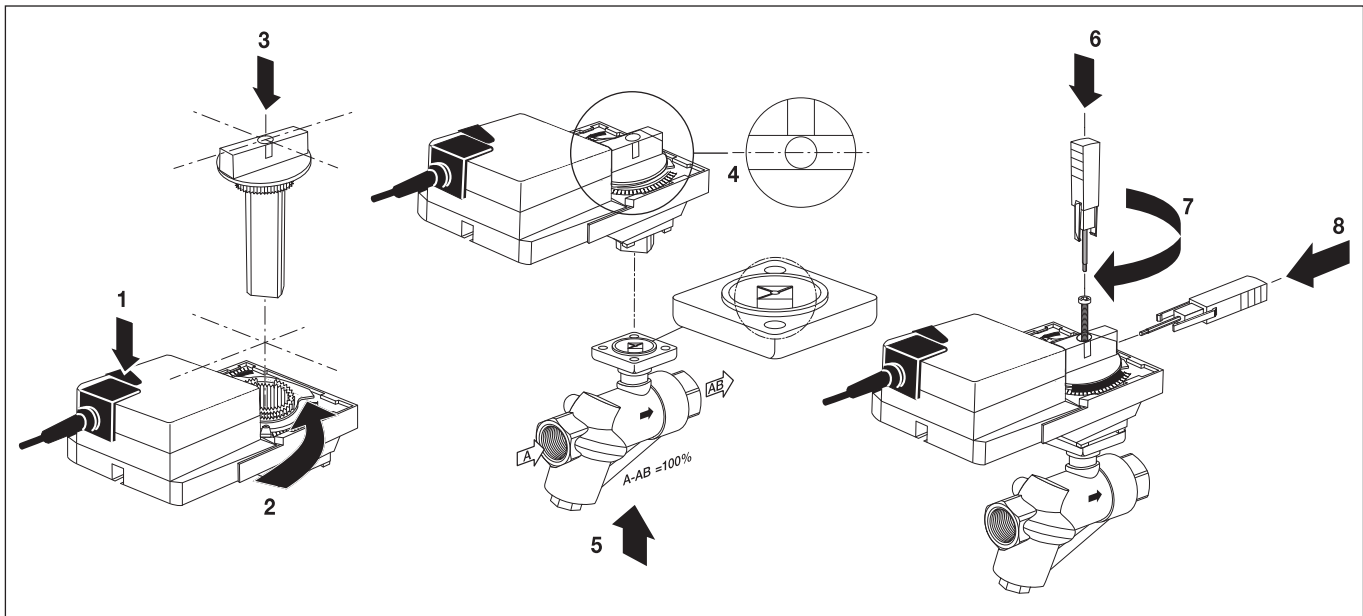
Notes

- Connection via safety isolating transformer.
- Other actuators can be connected in parallel. Please note the performance data.

Direction of rotation
(factory setting, switch hidden)



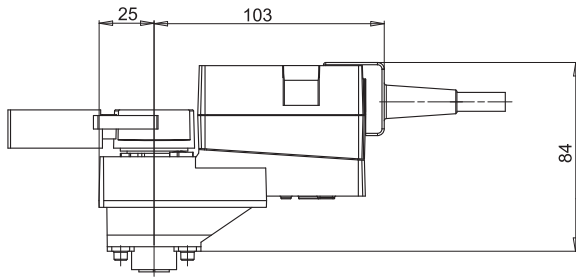
Mounting instructions



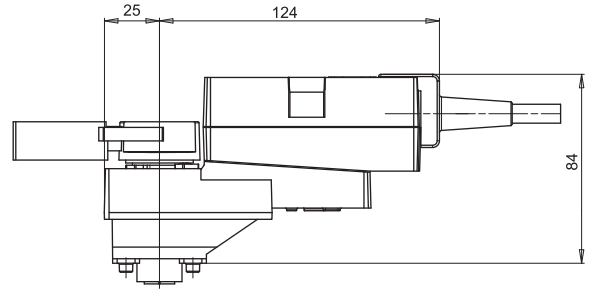
Notes:

1. The valve assembly can be installed in a vertical or horizontal arrangement, as long as the actuator is positioned to avoid condensation from dripping on the actuator.
2. PICCV shall be installed, with flow in the direction of the arrow on the valve body. If installed backwards, there could be damage to either the diaphragm or the regulator top.

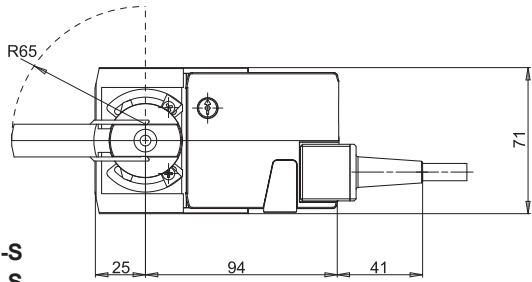
Dimensions [mm]



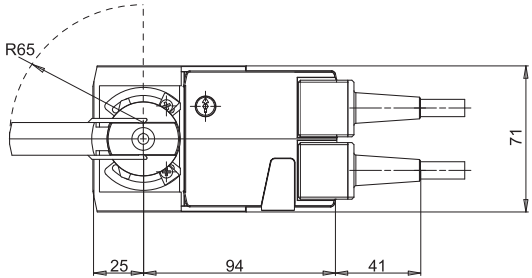
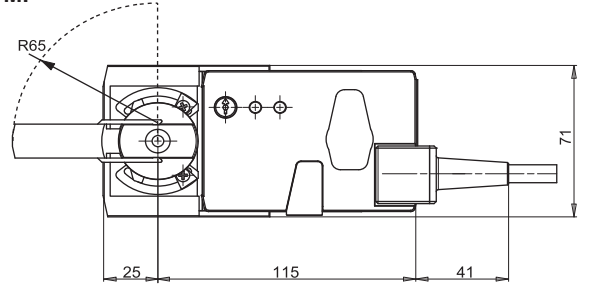
**LR24A
LR230A**



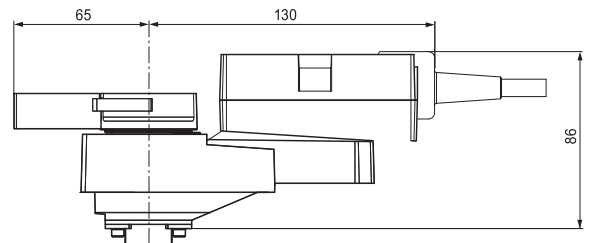
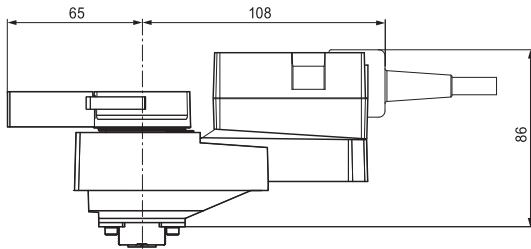
LR24A-MF



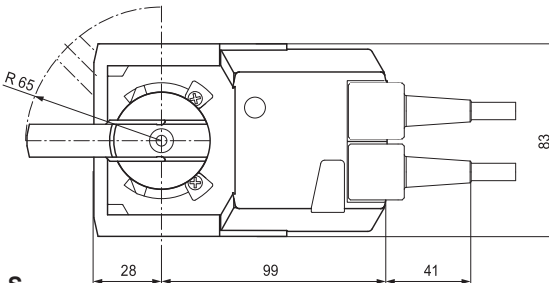
**LR24A-S
LR230A-S**



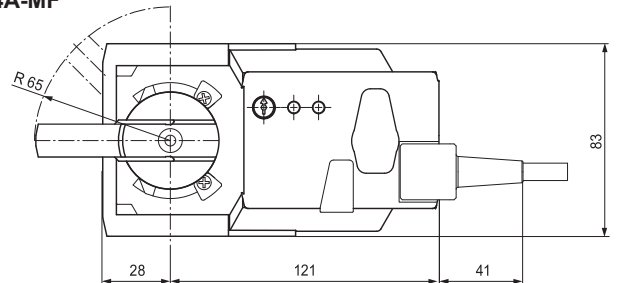
**NR24A
NR230A**



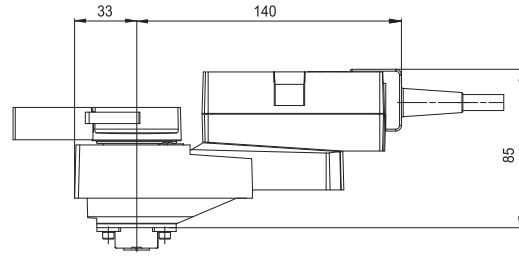
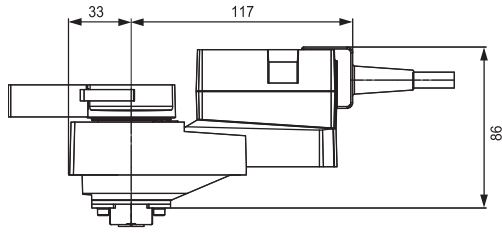
NR24A-MF



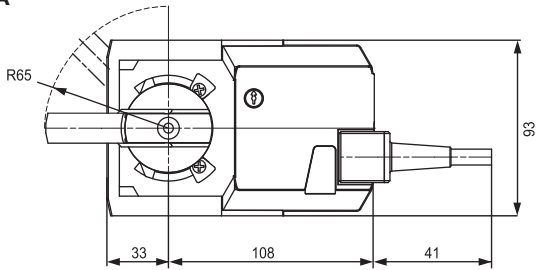
**NR24A-S
NR230A-S**



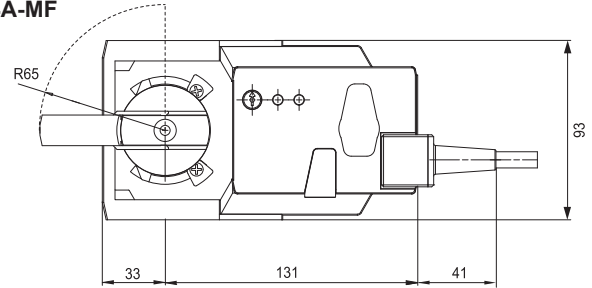
Dimensions [mm]



SR24A
SR230A



SR24A-MF



SR24A-S
SR230A-S

