

Non-Spring Return Smoke Control Actuator BLE24(-ST)



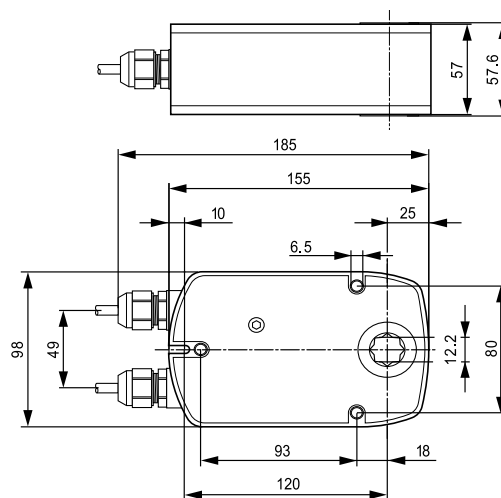
- Actuator for smoke control in HVAC systems
- Torque: 15Nm
- Nominal voltage: AC/DC 24V
- Control: Open/Close
- Manual override function



Technical data

Electrical data	Nominal voltage	AC 24V 50/60Hz, DC 24V
	Nominal voltage range	AC 19.2...28.8V / DC 21.6...28.8V
	Power consumption	7.5W @ running / 0.5W @ holding
	For transformer sizing	9VA (I _{max} 2.7mA @ 5ms)
	Auxiliary switch	2 SPDT, 1mA...6(3)A, DC 5V...AC 250V <input type="checkbox"/>
	-Switching points	3°↙, 87°↙ (referred to 0...90°↙)
Functional data	Connection	-Motor -Auxiliary Switch
		1m, 3 x 0.75mm ² (halogen-free)
		1m, 6 x 0.75mm ² (halogen-free)
		(.-ST with plug connectors, suitable for BKN230-24)
	Torque	15Nm @ nominal voltage
	Blocking torque	-Dynamic -Steady-state
		15Nm 20Nm
	Direction of rotation	Selectable by L/R installation
	Angle of rotation	Max. 105°↙ (incl. mechanical overrun on each side)
	Running time	30s/90°↙
	Sound power level	Max. 62dB(A)
	Service life	>10,000 cycles
Safety	Protection class	III (safety extra-low voltage)
	Degree of protection	IP54
	EMC	CE according to 2004/108/EC
	Low-voltage directive	CE according to 2006/95/EC
	Mode of operation	Type 1.B
	Ambient temperature	-Normal Duty -Safety Duty
		-30...+50°C See safety function on page 42
	Storage temperature	-40...+80°C
	Humidity test	95% RH, non-condensing
	Maintenance	Maintenance-free
Dimensions / weight	Dimensions (L x M x H)	185 x 98 x 57.6mm
	Shaft diameter	Form-fit 12 x 12mm
	Weight	Approx. 1.68kg

Dimensions [mm]



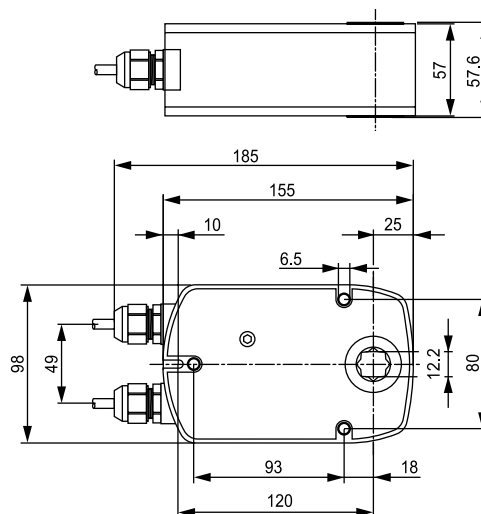
- Actuator for smoke control in HVAC systems
- Torque: 15Nm
- Nominal voltage: AC 230V
- Control: Open/Close
- Manual override function



Technical data

Electrical data	Nominal voltage	AC 230V 50/60Hz	
	Nominal voltage range	AC 198...264V	
	Power consumption	5W @ running / 1W @ holding	
	For transformer sizing	12VA (I _{max} 6mA @ 5ms)	
	Auxiliary switch -Switching points	2 SPDT, 1mA...6(3)A, DC 5V...AC 250V <input type="checkbox"/> 3°\sphericalangle, 87°\sphericalangle (referred to 0...90°\sphericalangle)	
Functional data	Connection -Motor -Auxiliary Switch	1m, 3 x 0.75mm ² (halogen-free) 1m, 6 x 0.75mm ² (halogen-free))	
	Torque	15Nm @ nominal voltage	
	Blocking torque -Dynamic -Steady-state	15Nm 20Nm	
	Direction of rotation	Selectable by L/R installation	
	Angle of rotation	Max. 105°\sphericalangle (incl. mechanical overrun on each side)	
	Running time	30s/90°\sphericalangle	
	Sound power level	Max. 62dB(A)	
	Position indication	Mechanical with pointer	
	Service life	>10,000 cycles	
	Safety	Protection class	II (totally insulated) <input type="checkbox"/>
		Degree of protection	IP54
		EMC	CE according to 2004/108/EC
Low-voltage directive		CE according to 2006/95/EC	
Mode of operation		Type 1.B	
Ambient temperature -Normal Duty -Safety Duty		-30...+50°C See safety function on page 42	
Storage temperature		-40...+80°C	
Humidity test		95% RH, non-condensing	
Dimensions / weight	Maintenance	Maintenance-free	
	Dimensions (L x M x H)	185 x 98 x 57.6mm	
	Shaft diameter	Form-fit 12 x 12mm	
Weight	Approx. 1.68kg		

Dimensions [mm]



Wiring diagram: B..E../BR.. series Non-Spring Return Open/Close Actuators

Notes:

- Parallel connection of several actuators is possible.
- Power consumption and switching thresholds must be observed.

