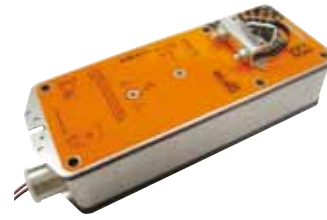


Fire and Smoke Spring Return Actuator FSAF24(-S) US



- Meet requirement of UL555(S) when tested as an assembly with suitable dampers
- Torque: 15Nm @ 121°C(250°F) for 30 minutes
- Running time: motor 75s, spring return 20s
- Control: Open/Close
- Manual override function



Technical data

Electrical data	Nominal voltage	AC 24V 50/60Hz, DC 24V*	
	Nominal voltage range	AC 19.2...28.8V / DC 21.6...36V*	
	Power consumption	10VA @ running / 4VA @ holding	
	For transformer sizing	10VA	
	Connection	-Motor -Auxiliary Switch: FSAF24-S	1m, 18ga, 2 colour coded leads 1m, 18ga, 4 appliance leads 1/2" conduit connector
Functional data	Torque	15Nm (0°C to 121°C) @ nominal voltage	
	Direction of rotation	Selectable by CW/CCW installation	
	Angle of rotation	Max. 95°	
	Auxiliary switch	-FSAF24-S	2 SPDT, 7(2.5)A @ AC 120/250V <input type="checkbox"/> one fixed at 10°↙ and one is adjustable from 30°↙ to 90°↙
	Running time	-Motor -Spring Return	<75s at rated voltage and torque <20s
	Sound power level		Motor max. 45dB(A) / spring return 62dB(A)
	Position indicator		Mechanical
Safety	Protection class		Class 2 supply
	Degree of protection		IP30 / NEMA type 1
	Agency listed		UL873 and CAN / CSA C22.2 No.24-93
	Ambient temperature	-Normal Duty -Safety Duty	-30...+50°C 3 Open/Close cycles after 1/2hr @121°C
	Storage temperature		-40...+80°C
	Humidity test		5...95% RH, non-condensing
Dimensions / weight	Maintenance		Maintenance-free
	Dimensions (L x M x H)		259 x 98 x 78mm
	Shaft diameter		12.7...20mm (10...20mm optional)
	Weight	-FSAF24 -FSAF24-S	Approx. 2.7kg Approx. 2.9kg
	Safety note		AC 24V: Connect via safety isolating transformer, class 2 supply

* Filtered and regulated DC 24V power supplies is needed.

Dimensions [mm/inches]

Standard:

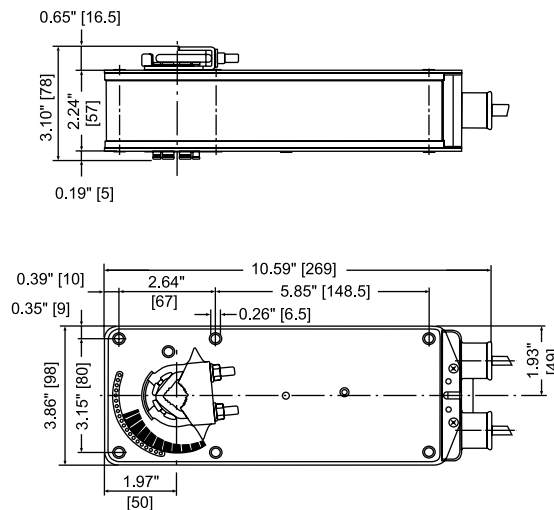
Ø 1/2" to 1.05"

Optional*

Ø 3/8" to 3/4"

□ 3/8" to 5/8"

*with K4 US clamp



- Meet requirement of UL555(S) when tested as an assembly with suitable dampers
- Torque: **15Nm @ 121°C(250°F) for 30 minutes**
- Running time: **motor 75s, spring return 20s**
- Control: **Open/Close**
- Manual override function



Technical data

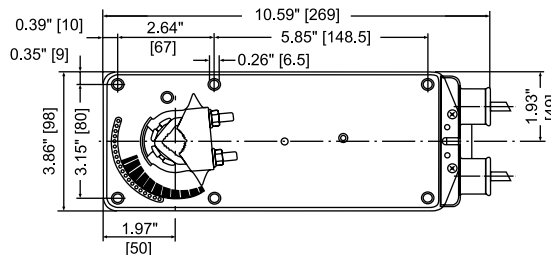
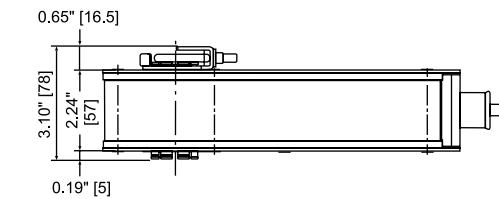
Electrical data	Nominal voltage	AC 230V 50/60Hz	
	Nominal voltage range	AC 197.8...262.2V	
	Power consumption	12VA @ running / 6VA @ holding	
	Connection	-Motor -Auxiliary Switch	1m, 18ga, 2 colour coded leads 1m, 18ga, 4 appliance leads 1/2" conduit connector
Functional data	Torque	15Nm (0°C to 121°C) @ nominal voltage	
	Direction of rotation	Selectable by CW/CCW installation	
	Angle of rotation	Max. 95°	
	Auxiliary switch	-FSAF230-S	2 SPDT, 7(2.5)A @ AC 120/250V <input type="checkbox"/> one fixed at 10°↙ and one is adjustable from 30°↙ to 90°↙
	Running time	-Motor -Spring Return	<75s at rated voltage and torque <20s
	Sound power level		Motor max. 45dB(A) / spring return 62dB(A)
	Position indicator		Mechanical
Safety	Protection class	Double insulated <input type="checkbox"/>	
	Degree of protection	IP30 / NEMA type 1	
	Agency listed	UL873 and CAN / CSA C22.2 No.24-93	
	Ambient temperature	-Normal Duty -Safety Duty	-30...+50°C 3 Open/Close cycles after 1/2hr @121°C
	Storage temperature		-40...+80°C
	Humidity test		5...95% RH, non-condensing
	Maintenance		Maintenance-free
Dimensions / weight	Dimensions (L x M x H)	259 x 98 x 78mm	
	Shaft diameter	12.7...20mm (10...20mm optional)	
	Weight	-FSAF230 -FSAF230-S	Approx. 3.1kg Approx. 3.3kg

Dimensions [mm/inches]

Standard:
 1/2" to 1.05"

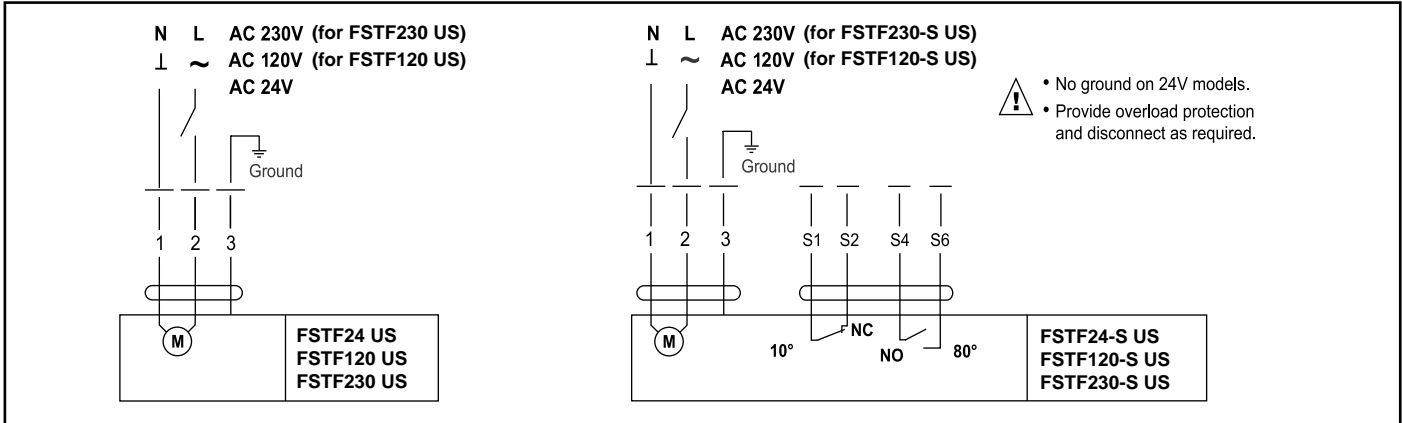
Optional*
 3/8" to 3/4"
 3/8" to 5/8"

*with K4 US clamp

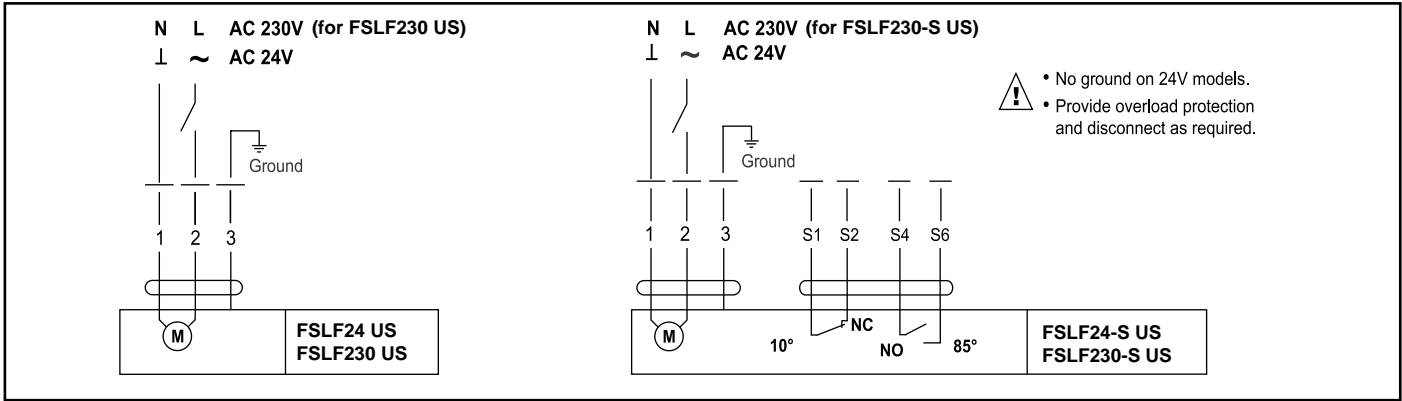


Wiring diagram: FS.. Series Fail-Safe Open/Close Actuators

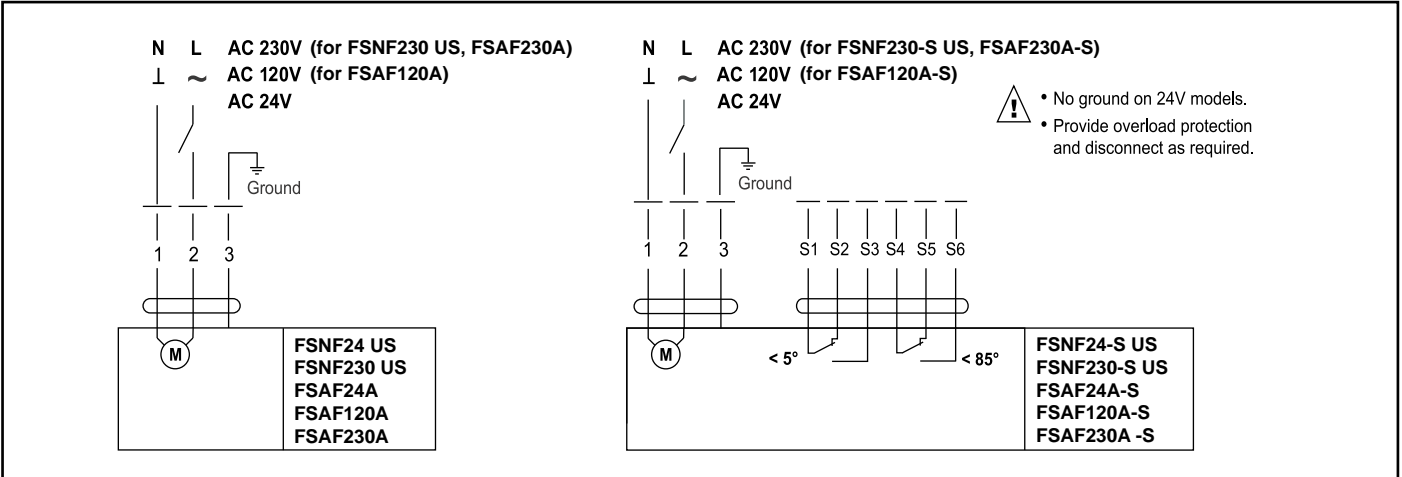
- Notes:**
- Parallel connection of several actuators is possible.
 - Power consumption must be observed.



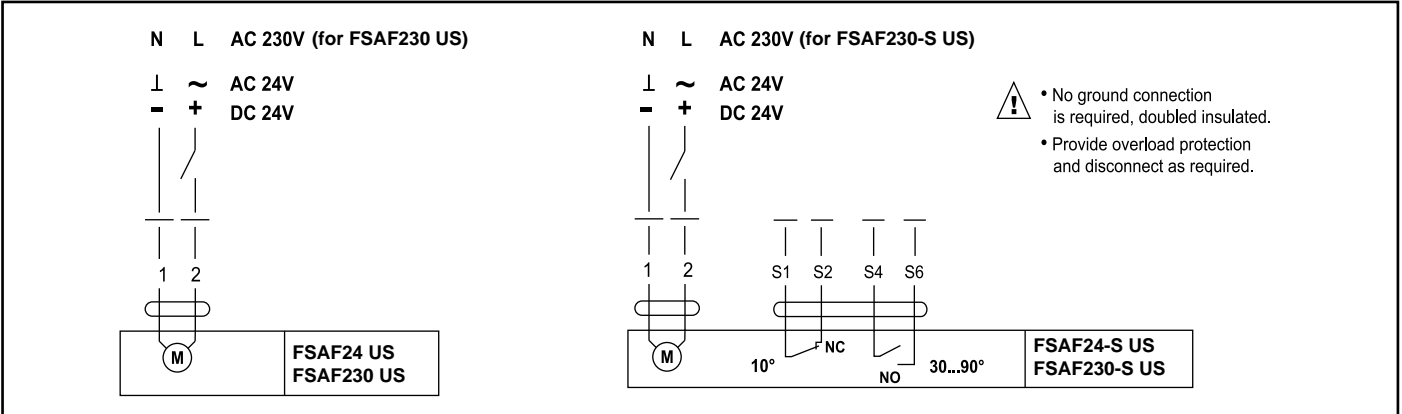
- ⚠
- No ground on 24V models.
 - Provide overload protection and disconnect as required.



- ⚠
- No ground on 24V models.
 - Provide overload protection and disconnect as required.



- ⚠
- No ground on 24V models.
 - Provide overload protection and disconnect as required.



- ⚠
- No ground connection is required, doubled insulated.
 - Provide overload protection and disconnect as required.