

- Globe valves, 2-way, with flange PN16
- For closed cold and hot water systems
  - For modulating water-side control of air handling units and heating systems


**Type overview**

Type	$K_{vs}$ [m <sup>3</sup> /h]	DN [mm]	Stroke [mm]	$S_v$	$\Delta P_s$ [kPa]
H6065W-SP	50	65	20	>50	1600
H6080W-SP	80	80	30	>50	1600
H6100W-SP	125	100	40	>50	1600
H6125W-SP	200	125	40	>50	1600
H6150W-SP	300	150	40	>50	1600
H6200W-SP	520	200	40	>50	1600
H6250W-SP	750	250	40	>50	1600

**Technical data**

Functional data	Flow media	Cold and hot water, Refrigerant (R12, R22, R134a, R202), water with max. 50% volume of glycol, Hydrazine, Phosphate
	Temperature of medium	0°C ... +150°C
	Rated pressure $P_s$	1600kPa (PN16)
	Flow characteristic	Control path A – AB: equal percentage (to VDI/VDE 2173) $n(gl) = 3$ , optimised in the opening range
	Rangeability $S_v$	See «Type overview»
	Leakage rate	Max. 0.02% of $k_{vs}$ value (DIN EN 1349 and DIN EN 60534-4)
	Pipe connection	Flange to ISO 7005-2 (PN16)
	Stroke	See «Type overview»
	Valve closing point	Up (▲)
	Installation position	Upright to horizontal (in relation to the stem)
	Maintenance	Maintenance-free
Materials	Body	Ductile iron GGG40
	Valve cone	Stainless steel SS304
	Valve stem	Stainless steel SS304
	Valve seat	Stainless steel SS304
	Stem gland seal	Teflon
Dimensions / Weights	Dimensions and weights	See «Globe Valves Dimension Size Overview»

**Safety notes**

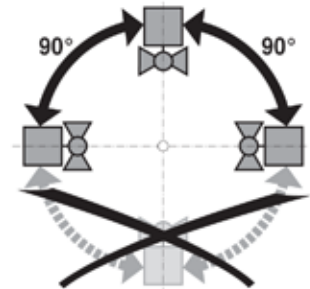

- This globe valve has been designed for use in stationary heating, ventilation and air-conditioning systems and is not allowed to be used outside the specified field of application, especially in aircraft or in any other airborne means of transport.
- It may only be installed by suitably trained personnel. All applicable legal or institutional installation regulations must be complied with.
- The valve does not contain any parts that can be replaced or repaired by the user.
- The valve is not allowed to be disposed of as household refuse. All locally valid regulations and requirements must be observed.
- The recognised rules should be applied when determining the flow characteristic of final controlling elements.

**Product features**

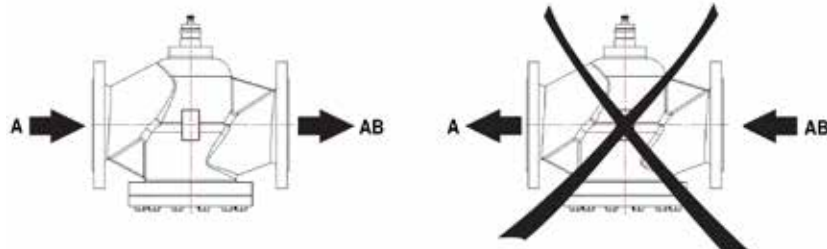
- Mode of operation** The globe valve is operated by an SV, EV or RV series linear actuator. The linear actuators are controlled by a standard modulating or 3-point control system and move the cone of the valve, the throttling device, to the opening position dictated by the control signal.
- Flow characteristic** An equal-percentage flow characteristic is produced by profiling the valve cone.
- Manual operation** On the SV, EV or RV linear actuator, the valve stem can be actuated manually using a hexagonal key.

**Installation notes**

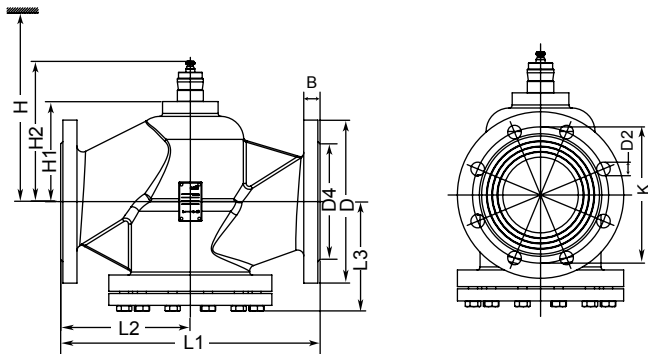
**Recommended mounting positions** The globe valve may be mounted either **vertically** or **horizontally**. It is not permissible to mount the globe valve with the stem pointing downwards.



- Water quality requirements**
  - The water quality requirements specified in VDI 2035 must be adhered to.
  - Globe valves are relatively sensitive control devices. In order to ensure a long service life, it is advisable to fit **strainers**.
- Maintenance**
  - The globe valves and linear actuators are maintenance-free.
  - Before any kind of service work is carried out on actuator sets of this type, it is essential to isolate the linear actuator from the power supply (by unplugging the power lead). Any pumps in the part of the piping system concerned must also be switched off and the appropriate isolating fittings closed (allow everything to cool down first if necessary and reduce the pressure in the system to atmospheric).
  - The system must not be returned to service until the globe valve and the linear actuator have been properly reassembled in accordance with the instructions and the pipework has been refilled in the proper manner.
- Direction of flow**
  - The direction of flow, specified by an arrow on the housing, is to be complied with, since otherwise the globe valve can be damaged.



Dimensions



H6..W-SP Globe valve 2-way series, PN16

Model Type	DN	Dimension[mm]											Weight (kg)
	mm	B	D	D2	D4	K	L1	L2	L3	H1	H2	H	
H6065W-SP	65	22	185	4-18	118	145	290	145	115	105	145.5	376	18.5
H6080W-SP	80	22	200	8-18	132	160	310	155	130	118	172.5	502	25.0
H6100W-SP	100	23	220	8-18	156	180	350	175	150	135	189.5	519	35.6
H6125W-SP	125	24	250	8-18	184	210	400	200	175	160	214.5	544	50.6
H6150W-SP	150	25	285	8-22	211	240	480	240	200	169	223.5	553	71.5
H6200W-SP	200	26	340	12-22	266	295	500	250	236	263	317.5	647	112.7
H6250W-SP	250	31	405	12-26	319	355	600	300	295	315	369.5	699	202.0