

Damper actuator for operating air control dampers in ventilation and air-conditioning systems for building services installations

- Torque 10Nm
- Nominal voltage AC/DC 24V
- Control: Open-close or 3-point


Technical data

Electrical data	Nominal voltage	AC 24V, 50/60Hz DC 24V
	Nominal voltage range	AC/DC 19.2...28.8V
	Power consumption	In operation 1.5W @ nominal torque At rest 0.2W For wire sizing 3.5VA
	Connection	Cable 1m, 3 x 0.75mm ²
Functional data	Torque (nominal torque)	Min. 10Nm @ nominal voltage
	Direction of rotation	Reversible with switch 0 ↺ or 1 ↻
	Manual override	Gearing latch disengaged with pushbutton, self-resetting
	Angle of rotation	Max. 95°↔, limited on both sides by means of adjustable, mechanical end stops
	Running time	150s
	Sound power level	Max. 35dB(A)
	Position indication	Mechanical, pluggable
Safety	Protection class	III Safety extra-low voltage
	Degree of protection	IP54 in any mounting position
	EMC	CE according to 2004/108/EC
	Mode of operation	Type 1 (to EN 60730-1)
	Ambient temperature range	-30...+50°C
	Non-operating temperature	-40...+80°C
	Ambient humidity range	95% r.H., non-condensating (EN 60730-1)
	Maintenance	Maintenance-free
Dimensions / Weight	Dimensions	See «Dimensions»
	Weight	Approx. 0.75kg

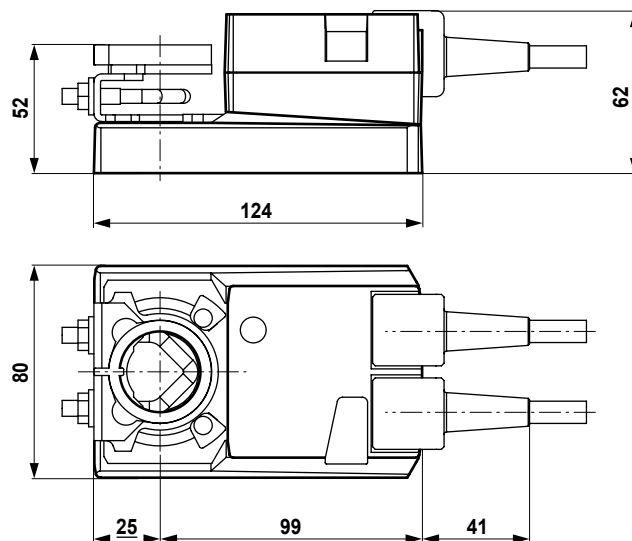
Dimensions [mm]
Dimensional drawings
Spindle length

		Min. 40
		Min. 20

Clamping range

	8...26.7	≥8	≤26.7
	8...20*	≥8	≤20

*Option: Spindle clamp mounted below (accessories K-NA needed)



Damper actuator for operating air control dampers in ventilation and air-conditioning systems for building services installations

- Torque 10Nm
- Nominal voltage AC/DC 24V
- Control: Open-close or 3-point
- Integrated auxiliary switch



Technical data

Electrical data	Nominal voltage	AC 24V, 50/60Hz DC 24V	
	Nominal voltage range	AC/DC 19.2...28.8V	
	Power consumption	In operation 1.5W @ nominal torque At rest 0.2W For wire sizing 3.5VA	
	Auxiliary switch	1 x SPDT, 1mA...3 (0.5) A, AC 250V <input type="checkbox"/> (0...100% adjustable)	
	Connection	Motor Cable 1m, 3 x 0.75mm ² Auxiliary switch Cable 1m, 3 x 0.75mm ²	
	Functional data	Torque (nominal torque)	Min. 10Nm @ nominal voltage
		Direction of rotation	Reversible with switch 0 ↺ or 1 ↻
		Manual override	Gearing latch disengaged with pushbutton, self-resetting
		Angle of rotation	Max. 95°↔, limited on both sides by means of adjustable, mechanical end stops
		Running time	150s
Sound power level		Max. 35dB(A)	
Position indication		Mechanical, pluggable	
Safety	Protection class	III Safety extra-low voltage	
	Degree of protection	IP54 in any mounting position	
	EMC	CE according to 2004/108/EC	
	Mode of operation	Type 1 (to EN 60730-1)	
	Ambient temperature range	-30...+50°C	
	Non-operating temperature	-40...+80°C	
	Ambient humidity range	95% r.H., non-condensating (EN 60730-1)	
	Maintenance	Maintenance-free	
Dimensions / Weight	Dimensions	See «Dimensions»	
	Weight	Approx. 0.84kg	

Dimensions [mm]

Dimensional drawings

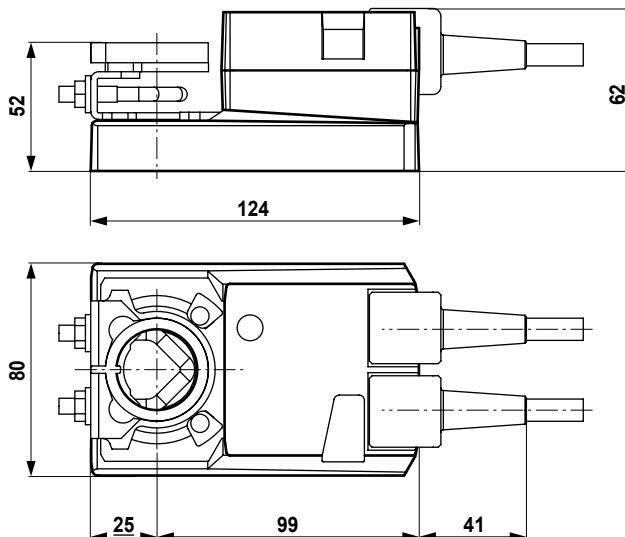
Spindle length

		Min. 40
		Min. 20

Clamping range

	8...26.7	≥8	≤26.7
	8...20	≥8	≤20

*Option: Spindle clamp mounted below (accessories K-NA needed)



Damper actuator for operating air control dampers in ventilation and air-conditioning systems for building services installations

- Torque 10Nm
- Nominal voltage AC/DC 24V
- Control: modulating DC (0)2...10V, position feedback DC 2...10V


Technical data

Electrical data	Nominal voltage	AC 24V, 50/60Hz DC 24V
	Nominal voltage range	AC/DC 19.2...28.8V
	Power consumption	In operation 2W @ nominal torque At rest 0.4W For wire sizing 4VA
	Connection	Cable 1m, 4 x 0.75mm ²
Functional data	Torque (nominal torque)	Min. 10Nm @ nominal voltage
	Control	Control signal Y DC (0)2...10V, typical input impedance 100kΩ Working range DC 2...10V
	Position feedback (Measuring voltage)	DC 2...10V, max. 1mA
	Position accuracy	±5%
	Direction of rotation	Reversible with switch 0 / 1
	Direction of rotation at Y = 0V	at switch position 0 ↺ resp. 1 ↻
	Manual override	Gearing latch disengaged with pushbutton, self-resetting
	Angle of rotation	Max. 95°↔, limited on both sides by means of adjustable, mechanical end stops
	Running time	150s
	Sound power level	Max. 35dB(A)
	Position indication	Mechanical, pluggable
Safety	Protection class	III Safety extra-low voltage
	Degree of protection	IP54 in any mounting position
	EMC	CE according to 2004/108/EC
	Mode of operation	Type 1 (to EN 60730-1)
	Ambient temperature range	-30...+50°C
	Non-operating temperature	-40...+80°C
	Ambient humidity range	95% r.H., non-condensating (EN 60730-1)
	Maintenance	Maintenance-free
Dimensions / Weight	Dimensions	See «Dimensions»
	Weight	Approx. 0.77kg

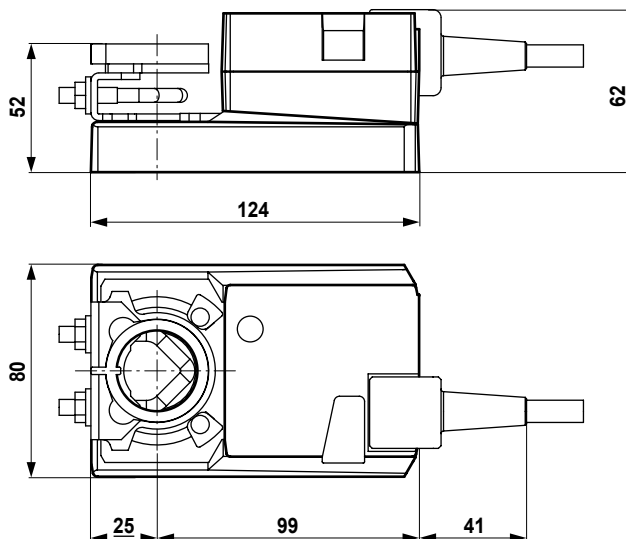
Dimensions [mm]
Dimensional drawings
Spindle length

		Min. 40
		Min. 20

Clamping range

	8...26.7	≥8	≤26.7
	8...20	≥8	≤20

*Option: Spindle clamp mounted below (accessories K-NA needed)



Damper actuator for operating air control dampers in ventilation and air-conditioning systems for building services installations

- Torque 10Nm
- Nominal voltage AC/DC 24V
- Control: Open-close or 3-point



Technical data

Electrical data	Nominal voltage	AC 24V, 50/60Hz DC 24V
	Nominal voltage range	AC/DC 19.2...28.8V
	Power consumption	In operation 1.5W @ nominal torque At rest 0.2W For wire sizing 4VA
	Connection	Terminals 4mm ² (Cable Ø 6...8mm, three-core)
	Functional data	Torque (nominal torque)
	Direction of rotation	Reversible with switch 0 ↺ or 1 ↻
	Manual override	Gearing latch disengaged with pushbutton, detentable
	Angle of rotation	Max. 95°↔, limited on both sides by means of adjustable, mechanical end stops
	Running time	150s / 90°↔
	Sound power level	Max. 35dB(A)
	Position indication	Mechanical, pluggable
Safety	Protection class	III Safety extra-low voltage
	Degree of protection	IP54 in any mounting position
	EMC	CE according 2004/108/EC
	Mode of operation	Type 1 (to EN 60730-1)
	Rated impulse voltage	0.8kV (to EN 60730-1)
	Control Pollution Degree	3 (to EN 60730-1)
	Ambient temperature range	-30...+50°C
	Non-operating temperature	-40...+80°C
	Ambient humidity range	95% r.H., non-condensating (to EN 60730-1)
	Maintenance	Maintenance-free
Dimensions / Weight	Dimensions	See «Dimensions»
	Weight	Approx. 0.75kg

Dimensions [mm]

Dimensional drawings

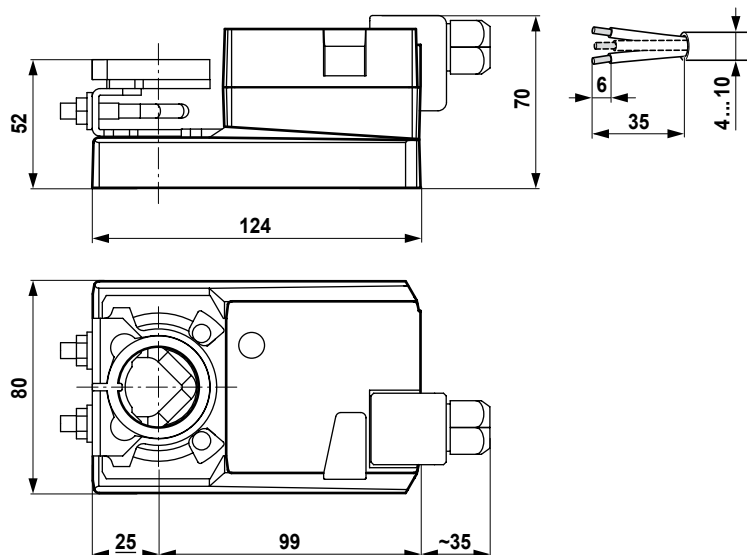
Spindle length

	Min. 40
	Min. 20

Clamping range

	8...26.7	≥8	≤26.7
	8...20	≥8	≤20

*Option: Spindle clamp mounted below (accessories K-NA needed)



Damper actuator for operating air control dampers in ventilation and air-conditioning systems for building services installations

- Torque 10Nm
- Nominal voltage AC 100...240V
- Control: Open-close or 3-point


Technical data

Electrical data	Nominal voltage	AC 100...240V, 50/60Hz
	Nominal voltage range	AC 85...265V
	Power consumption	In operation 2.5W @ nominal torque At rest 0.6W For wire sizing 5.5VA
	Connection	Cable 1m, 3 x 0.75mm ²
Functional data	Torque (nominal torque)	Min. 10Nm @ nominal voltage
	Direction of rotation	Reversible with switch 0 ↺ or 1 ↻
	Manual override	Gearing latch disengaged with pushbutton, self-resetting
	Angle of rotation	Max. 95°↔, limited on both sides by means of adjustable, mechanical end stops
	Running time	150s
	Sound power level	Max. 35dB(A)
	Position indication	Mechanical, pluggable
Safety	Protection class	II Totally insulated <input type="checkbox"/>
	Degree of protection	IP54 in any mounting position
	EMC	CE according to 2004/108/EC
	Low voltage directive	CE according to 2006/95/EC
	Mode of operation	Type 1 (to EN 60730-1)
	Ambient temperature range	-30...+50°C
	Non-operating temperature	-40...+80°C
	Ambient humidity range	95% r.H., non-condensating (EN 60730-1)
Dimensions / Weight	Maintenance	Maintenance-free
	Dimensions	See «Dimensions»
	Weight	Approx. 0.77kg

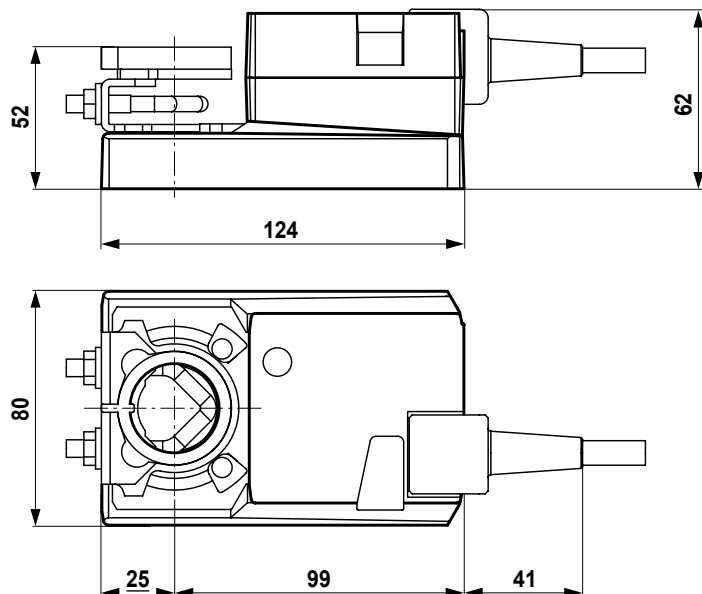
Dimensions [mm]
Dimensional drawings
Spindle length

	Min. 40
	Min. 20

Clamping range

	8...26.7	≥8	≤26.7
	8...20	≥8	≤20

*Option: Spindle clamp mounted below (accessories K-NA needed)



Damper actuator for operating air control dampers in ventilation and air-conditioning systems for building services installations

- Torque 10Nm
- Nominal voltage AC 100...240V
- Control: Open-close or 3-point
- Integrated auxiliary switch



Technical data

Electrical data	Nominal voltage	AC 100...240V, 50/60Hz	
	Nominal voltage range	AC 85...265V	
	Power consumption	In operation 2.5W @ nominal torque At rest 0.6W For wire sizing 5.5VA	
	Auxiliary switch	1 x SPDT, 1mA...3 (0.5) A, AC 250V <input type="checkbox"/> (0...100% adjustable)	
Functional data	Connection	Motor Cable 1m, 3 x 0.75mm ² Auxiliary switch Cable 1m, 3 x 0.75mm ²	
	Torque (nominal torque)	Min. 10Nm @ nominal voltage	
	Direction of rotation	Reversible with switch 0 ↺ or 1 ↻	
	Manual override	Gearing latch disengaged with pushbutton, self-resetting	
	Angle of rotation	Max. 95°↔, limited on both sides by means of adjustable, mechanical end stops	
	Running time	150s	
	Sound power level	Max. 35dB(A)	
	Position indication	Mechanical, pluggable	
	Safety	Protection class	II Totally insulated <input type="checkbox"/>
		Degree of protection	IP54 in any mounting position
EMC		CE according to 2004/108/EC	
Low voltage directive		CE according to 2006/95/EC	
Mode of operation		Type 1 (to EN 60730-1)	
Ambient temperature range		-30...+50°C	
Non-operating temperature		-40...+80°C	
Dimensions / Weight	Ambient humidity range	95% r.H., non-condensating (EN 60730-1)	
	Maintenance	Maintenance-free	
	Dimensions	See «Dimensions»	
	Weight	Approx. 0.85kg	

Dimensions [mm]

Dimensional drawings

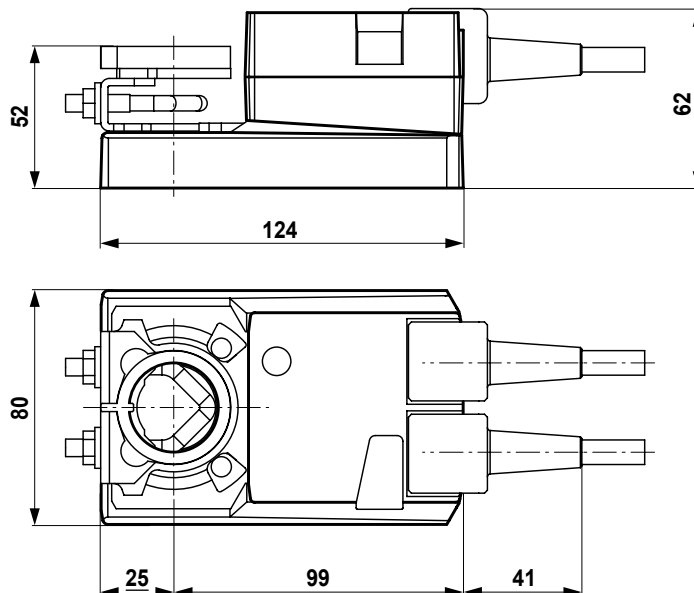
Spindle length

		Min. 40
		Min. 20

Clamping range

	8...26.7	≥8	≤26.7
	8...20*	≥8	≤20

*Option: Spindle clamp mounted below (accessories K-NA needed)



Damper actuator for operating air control dampers in ventilation and air-conditioning systems for building services installations

- Torque 10Nm
- Nominal voltage AC 100...240V
- Control: modulating DC (0)2...10V, position feedback DC 2...10V


Technical data

Electrical data	Nominal voltage	AC 100...240V, 50/60Hz
	Nominal voltage range	AC 85...265V
	Power consumption	In operation 3.5W @ nominal torque At rest 1W For wire sizing 6.5VA
	Connection	Power supply Cable 1m, 2 x 0.75mm ² Signals Cable 1m, 4 x 0.75mm ²
Functional data	Torque (nominal torque)	Min. 10Nm @ nominal voltage
	Control	Control signal Y DC (0)2...10V, typical input impedance 100kΩ Working range DC 2...10V
	Position feedback (Measuring voltage)	DC 2...10V, max. 1mA
	Position accuracy	±5%
	Direction of rotation	Reversible with switch 0 / 1
	Direction of rotation at Y = 0 V	at switch position 0 ↶ resp. 1 ↷
	Manual override	Gearing latch disengaged with pushbutton, self-resetting
	Angle of rotation	Max. 95°↔, limited on both sides by means of adjustable, mechanical end stops
	Running time	150s
	Sound power level	Max. 35dB(A)
Safety	Position indication	Mechanical, pluggable
	Protection class	II Totally insulated <input type="checkbox"/>
	Degree of protection	IP54 in any mounting position
	EMC	CE according to 2004/108/EC
	Low voltage directive	CE according to 2006/95/EC
	Mode of operation	Type 1 (to EN 60730-1)
	Ambient temperature range	-30...+50°C
	Non-operating temperature	-40...+80°C
	Ambient humidity range	95% r.H., non-condensating (EN 60730-1)
	Maintenance	Maintenance-free
Dimensions / Weight	Dimensions	See «Dimensions»
	Weight	Approx. 0.9kg

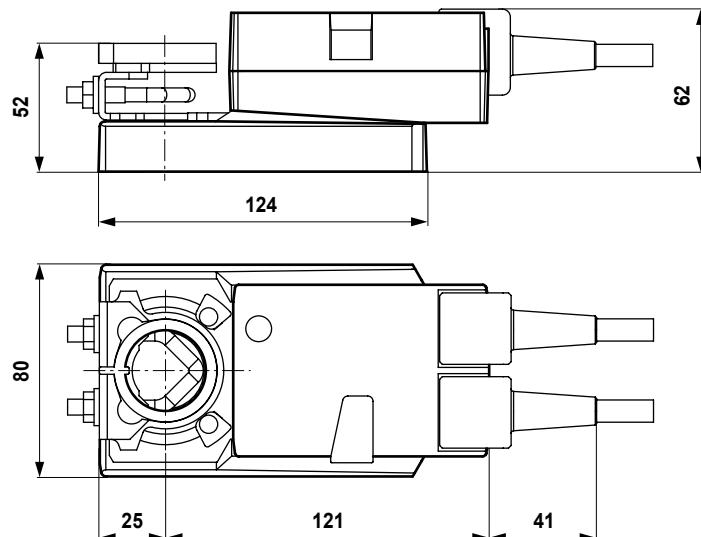
Dimensions [mm]
Dimensional drawings
Spindle length

		Min. 40
		Min. 20

Clamping range

	8...26.7	≥8	≤26.7
	8...20	≥8	≤20

*Option: Spindle clamp mounted below (accessories K-NA needed)



Damper actuator for operating air control dampers in ventilation and air-conditioning systems for building services installations

- Torque 10Nm
- Nominal voltage AC 100...240V
- Control: Open-close or 3-point



Technical data

Electrical data	Nominal voltage	AC 100...240V, 50/60Hz
	Nominal voltage range	AC 85...265V
	Power consumption	In operation 2.5W @ nominal torque At rest 0.6W For wire sizing 6VA
	Connection	Terminals 4mm ² (Cable Ø 6...8mm, three-core)
Functional data	Torque (nominal torque)	Min. 10Nm @ nominal voltage
	Direction of rotation	Reversible with switch 0 ↺ or 1 ↻
	Manual override	Gearing latch disengaged with pushbutton, detentable
	Angle of rotation	Max. 95°↔, limited on both sides by means of adjustable, mechanical end stops
	Running time	150s / 90°↔
	Sound power level	Max. 35dB(A)
	Position indication	Mechanical, pluggable
	Safety	Protection class
Degree of protection		IP54 in any mounting position
EMC		CE according to 2004/108/EC
Low voltage directive		CE according to 2006/95/EC
Mode of operation		Type 1 (to EN 60730-1)
Rated impulse voltage		4kV (to EN 60730-1)
Control Pollution Degree		3 (to EN 60730-1)
Ambient temperature range		-30...+50°C
Non-operating temperature		-40...+80°C
Ambient humidity range		95% r.H., non-condensating (to EN 60730-1)
Maintenance	Maintenance-free	
Dimensions / Weight	Dimensions	See «Dimensions»
	Weight	Approx. 0.8kg

Dimensions [mm]

Dimensional drawings

Spindle length

	Min. 40
	Min. 20

Clamping range

	8...26.7	≥8	≤26.7
	8...20	≥8	≤20

*Option: Spindle clamp mounted below (accessories K-NA needed)

